

INSTALL INSTRUCTIONS P-MID-1 w/P-MFK-5 MIDDLE PARTITION w/MOUNTING FILLER PANEL KIT 1997-2008 CHEVROLET/GMC FULL SIZE PASSENGER VANS

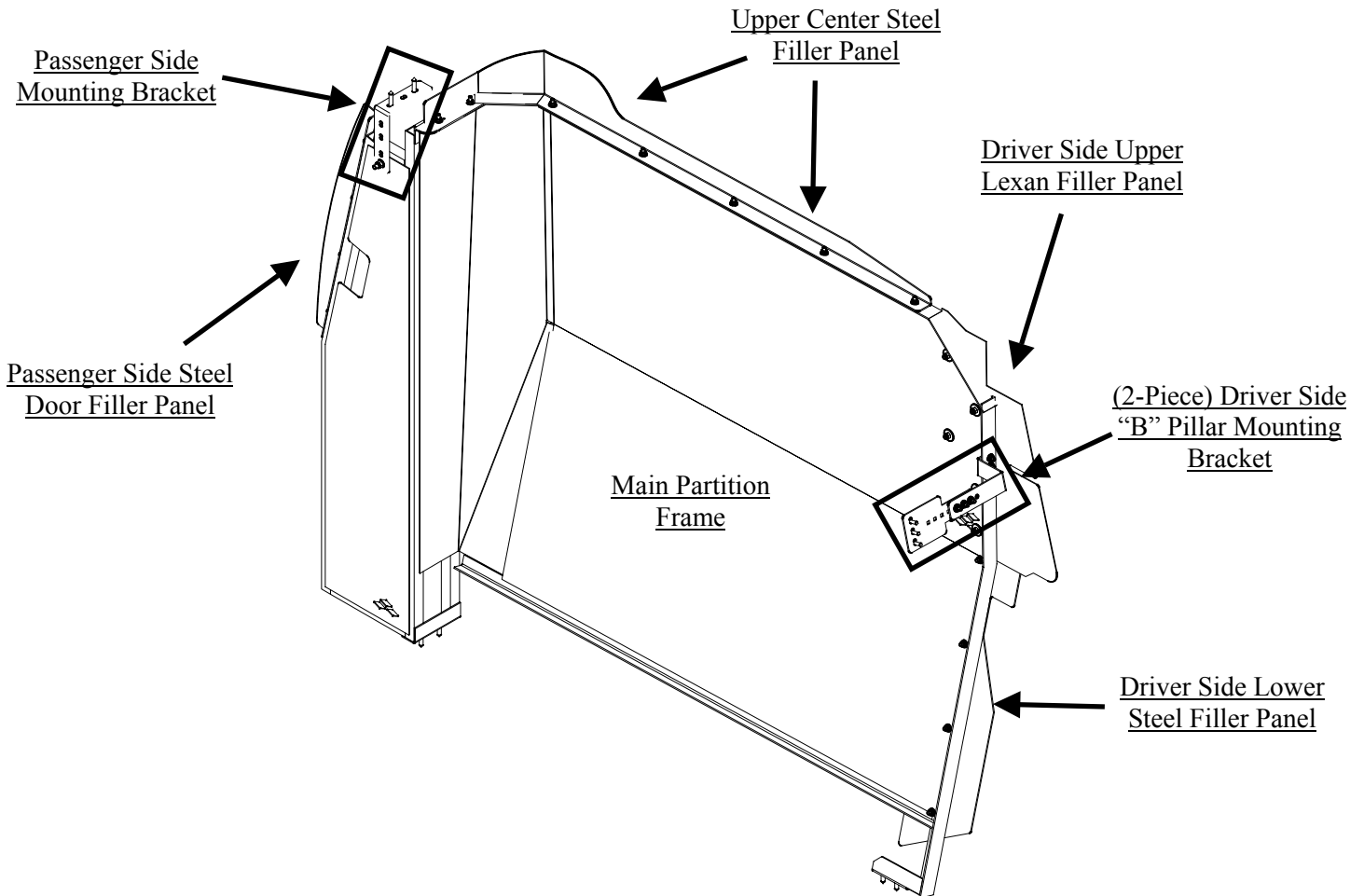
TOOLS REQUIRED:

Power drill
Drill bit set

Ratcheting wrench
Standard & Metric socket set

HARDWARE:

<u>QTY</u>	<u>DESCRIPTION</u>	<u>PART #</u>
5	1/4" x 1 1/2" Hex head Lag Bolt	GSM33062
6	1/4" x 1" Hex head Lag Bolt	GSM33060
20	1/4-20 x 3/4" Carriage Bolt	GSM32000
12	1/4-20 Serrated Nut	GSM30023
8	1/4-20 Nylock Nut	GSM30016
1	5/16-18 Nylock Nut	GSM30017
1	5/16-18 x 2" Hex Head Bolt	GSM33015
2	5/16 Flat Washer	GSM31006
8	1/4" x 1" Fender Washer	GSM31014



SUB ASSEMBLY:

1. Remove “C” pillar trim panel. This is necessary for driver side mounting bracket.
2. Position upper center filler to partition and mark mounting holes.
3. Drill 5/16” holes on marks.

Always!

- Read all instructions before installing any Havis-Shields Equipment Corp products.
- Check for obstructions (Wire, brake lines, fuel tank, etc.) before drilling any holes!
- Use hardware provided with install kit

INSTALLATION:

1. ATTACH PARTITION TO FLOOR:

- Place partition carefully into vehicle behind the first row bench.
- Move bottom of partition forward to the back of seat base on first row bench.

Note: Driver side mounting leg on partition will be forward of seat belt hold down on floor of van.

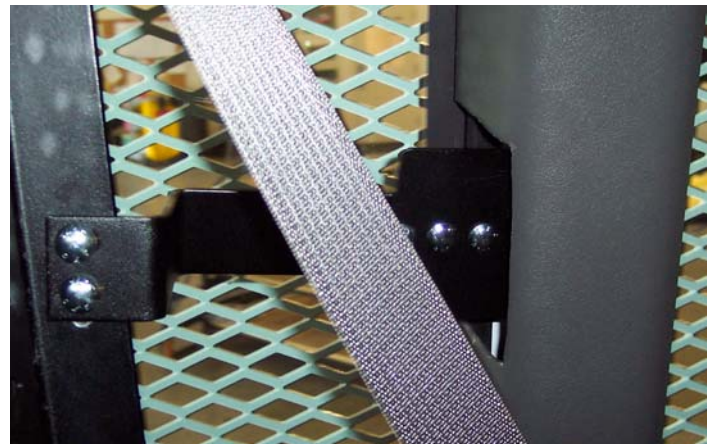
- Pre-drill the (3) driver side mounting leg holes with 3/16” drill bit. Be sure to check for obstructions.
- Attach partition to van floor at driver side mounting leg using (3) 1/4” x 1 1/2” Hex head lag bolts.
- Proceed to partitions passenger side mounting leg. Be sure to check that partition is square with the bench seat.
- Pre-drill the (2) passenger side mounting leg holes with 3/16” drill bit. Be sure to check for obstructions.
- Attach partition to van floor at passenger side mounting leg using (2) 1/4” x 1 1/2” Hex head lag bolts. Partition is now self-supporting.



1/4” x 1 1/2” Hex Head Lag Bolts

2. ATTACH (2- PIECE) DRIVER SIDE “B” PILLAR MOUNTING BRACKET:

- Hold 2-piece driver side mounting bracket to partition and “C-pillar” of van.
- Determine proper location to mount 2-piece bracket to partition.
- Drill (2) 5/16” holes where mounting bracket and partition meet.
- Attach bracket to partition using 1/4-20 x 3/4” Carriage bolts and

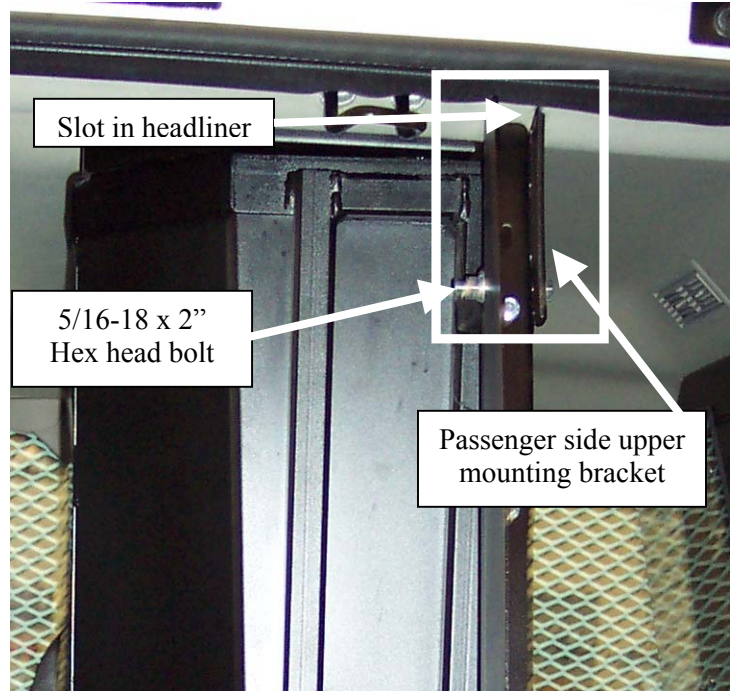


serrated nuts.

- Press partition as far forward and mark mounting holes where driver side mounting bracket and “C-pillar” come in contact.
- Pre-drill 3/16” holes into “C-pillar”.
- Attach bracket to C-pillar using (3) 1/4” x 1” Hex head lag bolts.
- Plastic trim panel must be notched around bracket to mount.

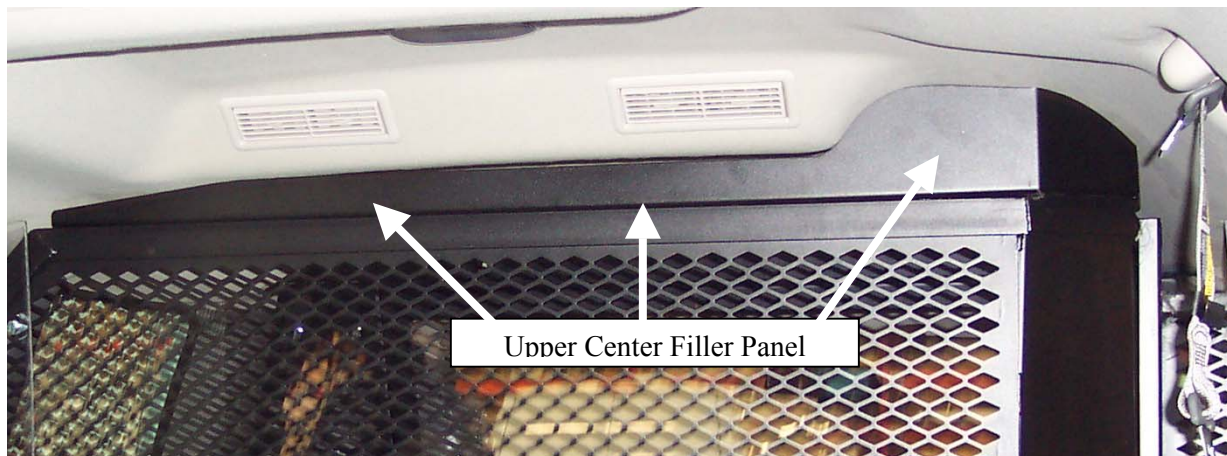
3. ATTACH PASSENGER SIDE MOUNTING BRACKET:

- Press partition as far forward as possible and holding bracket to partition (square tubing section) determine where to slot headliner to accept mounting bracket.
- Slot headliner and position mounting bracket to be flush with vehicle inner roof support.
- Mark (3) mounting holes and pre-drill using 3/16” drill bit.
- Attach bracket to vehicle using (3) 1/4” x 1” Hex head lag bolts.
- Press partition up to bracket and mark holes where bracket and partition come together.
- Drill 5/16” holes on these marks and bolt partition to bracket using 5/16-18 x 2” Hex head bolt, washer, and nylock nut.



4. ATTACH UPPER STEEL CENTER FILLER PANEL:

- Attach upper center filler to partition through the holes pre-drilled at subassembly using 1/4-20 x 3/4” Carriage bolts and serrated nuts.
- Tighten all hardware.



5. ATTACH DRIVER SIDE UPPER LEXAN FILLER PANEL:

- Position driver side 1/4" lexan filler panel to partition so that minimal space is between the vehicles window, (or window guard) and the lexan filler.

NOTE: It is necessary to keep a 1/8" gap between the window or guard and the filler to allow for expansion and contraction of the lexan during temperature fluctuations.

- Drill (6) 5/16" holes evenly spaced through both the 1/4" lexan filler panel and the partition frame. Attaching to the frame directly will help to avoid filler rattling.
- Bolt lexan filler to partition using 1/4-20 x 3/4" carriage bolts and nylock nuts.

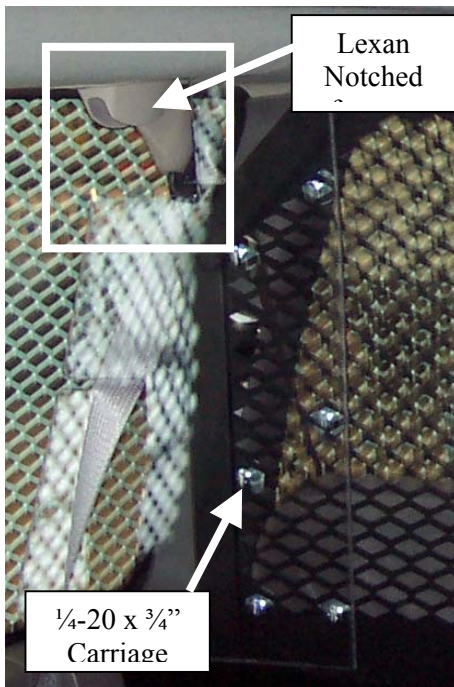
6. ATTACH DRIVER SIDE LOWER STEEL FILLER PANEL:

- Position driver side lower aluminum filler panel tight to vehicles interior trim and floor.
- Using slots in filler panel as a drill guide mark and drill partition using 5/16" drill bit.
- Attach filler panel to partition using 1/4-20 x 3/4" carriage bolts and serrated nuts.

7. ATTACH PASSENGER SIDE DOOR STEEL FILLER PANEL:

- Position on front row bench in van close side doors.
- Hold filler panel to partition so that it does not interfere door mechanisms.
- Mark and drill 3/16" holes through partition tubing.
- Attach filler to partition using 1/4-20 x 3/4" Hex head thread cutting bolts.
- Vacuum out all metal shaving and double check door operation.

Driver side upper lexan filler



Passenger Side Inner Steel Filler Panel

